

## Embedded Solutions



## SATA III M.2 SSDs MTS400P

Transcend's M.2 SSD MTS400P features a SATA III 6Gb/s interface, the MLC NAND flash, and a DRAM cache, delivering superior transfer speeds and high data integrity. The 30 $\mu$ m gold finger PCB, Corner Bond technology, and anti-sulfur resistors fortify key components to withstand shocks, vibration, and chemical interruption, guaranteeing its reliability in harsh conditions. Transcend's MTS400P is a Power Loss Protection (PLP) SSD. During unexpected power outages, the built-in tantalum capacitor provides power to the controller and DRAM cache, ensuring data integrity and storage reliability. 100% chamber tested in-house, the MTS400P is suitable for space-limited systems.

### Hardware Features

- Compliant with RoHS 2.0 standards
- Space-saving M.2 form factor (42mm) – ideal for mobile computing devices
- DDR3 DRAM Cache embedded
- MLC NAND flash
- Key components fortified by default with Corner Bond technology

### Firmware Features

- Built-in BCH ECC (Error Correction Code) functionality
- Advanced Global Wear-Leveling and Block management for reliability
- Advanced Garbage Collection
- Supports S.M.A.R.T. function to conduct health monitoring, analysis, and reporting for storage devices
- NCQ command for better performance

### Ordering Information

---

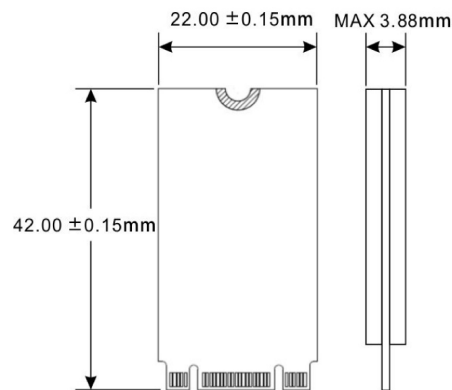
32GB	TS32GMTS400P
------	--------------

---

## Specifications

<b>Appearance</b>	Dimensions	42 mm x 22 mm x 3.88 mm (1.65" x 0.87" x 0.15")
	Weight	5 g (0.18 oz)
	M.2 Type	2242-D5-B-M (Double-sided)
	Form Factor	M.2 2242
<b>Interface</b>	Bus Interface	SATA III 6Gb/s
<b>Storage</b>	Capacity	32 GB
	Flash Type	MLC NAND flash
<b>Operating Environment</b>	Operating Voltage	3.3V±5%
	Operating Temperature	Standard Temp. 0°C (32°F) ~ 70°C (158°F)
	Storage Temperature	-55°C (-67°F) ~ 85°C (185°F)
	Humidity	5% ~ 95%
	Shock	1500 G, 0.5 ms, 3 axis
	Vibration (Operating)	20 G (peak-to-peak), 7 Hz ~ 2,000 Hz (frequency)
<b>Power</b>	Power Consumption (Operation)	1.1 watt(s)
	Power Consumption (IDLE)	0.4 watt(s)
<b>Performance</b>	Sequential Read/Write (CrystalDiskMark)	Read: Up to 280 MB/s Write: Up to 50 MB/s
	4K Random Read/Write (IOmeter)	Read: Up to 25,000 IOPS Write: Up to 10,000 IOPS
	Mean Time Between Failures (MTBF)	2,500,000 hour(s)
	Terabytes Written (TBW)	Up to 90 TBW
	Drive Writes Per Day (DWPD)	2 (3 yrs)
<b>Warranty</b>	Certificate	CE / UKCA / FCC / BSMI
	Warranty	Three-year Limited Warranty

## Mechanical Dimensions



Product specifications are subject to change without notice. Pictures shown may differ from actual products. Total accessible capacity varies depending on operating environment. Due to the complexity and variety of industrial applications, Transcend cannot guarantee 100% compatibility with all platforms and under all scenarios. For special applications and environments, it is strongly suggested that you contact Transcend beforehand for clarification.